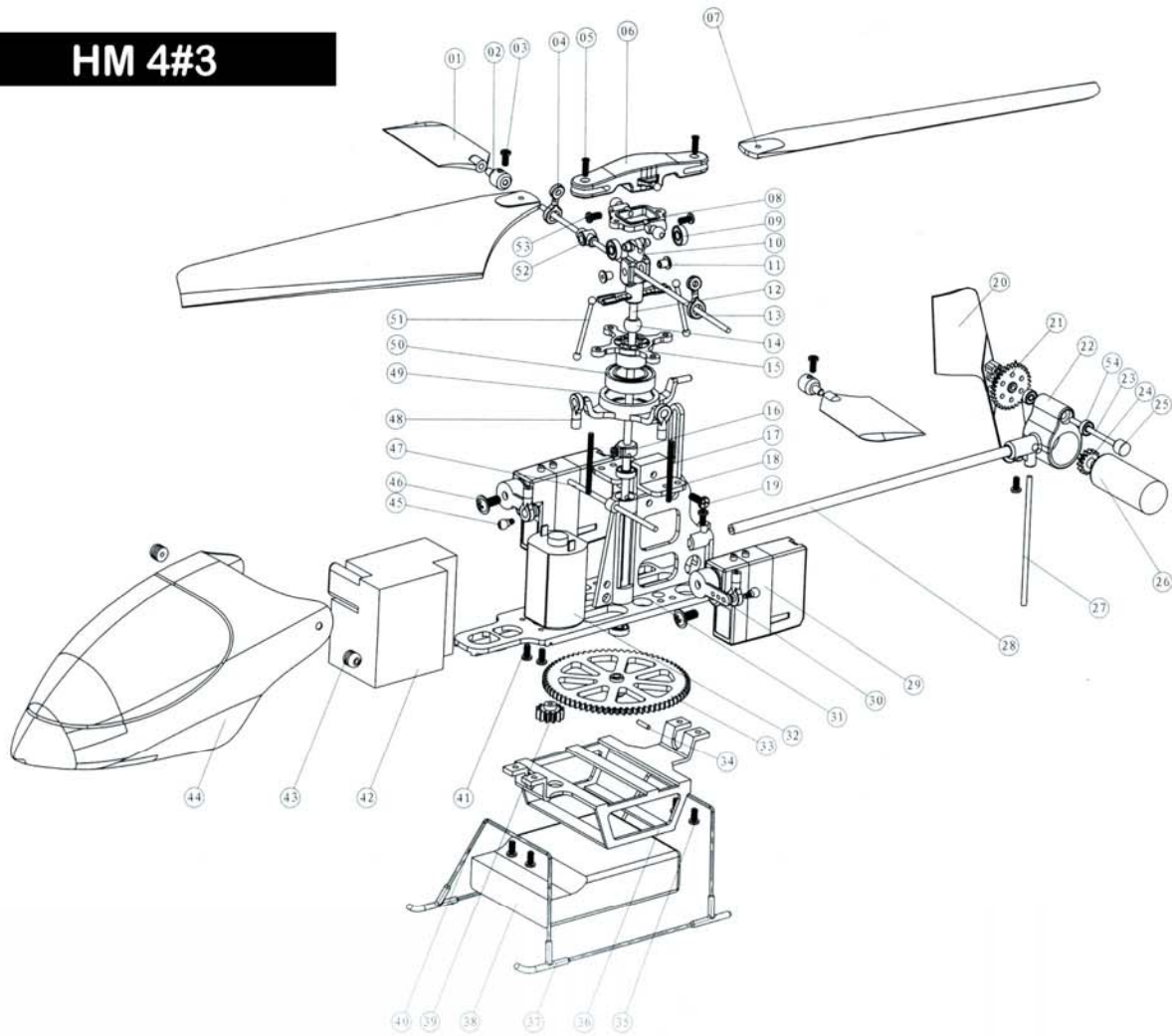


HM 4#3



Part Code	Description	Specification	Qty
001	Flybar paddle		2
002	Flybar Connector		2
003	Cross recessed pan head screw	PM1.2*2	2
004	Short tiebar		2
005	Cross recessed countersunk flat head screw	KB1*3.5	2
006	Blade holder		1
007	Main rotor blade		2
008	Ring of rotor head		1
009	Bearing	$\Phi 1.5 \times \Phi 4 \times 1.2$	4
010	Rotor Head		1
011	Copper set		1
012	Main shaft		1
013	Flybar blade rod		1
014	Aluminum ball		1
015	Swashplate Body (Upper)		1
016	Locking sleeve		1
017	Pull linkage 2		2
018	Servo Holder		1
019	Cross recessed pan head tapping screw	PB1.4*4	1
020	Tail rotor blade		1
021	Tail gear		1
022	Tail motor holder		1
023	Tail shaft		1
024	Tail rotor gear		1
025	Tail Rubber Ring		1
026	Motor		1
027	Canopy rod		1
028	Tail boom		1
029	3g Servo		2
030	Servo bellcrank		2
031	Main frame		1
032	Motor		1
033	Main gear		1
034	Pin		1
035	Cross recessed pan head tapping screw	PB1.2*2.5	7
036	Battery holder		1
037	Skid landing cover		1
038	Battery		1
039	Motor main gear		1
040	Skid Landing		1
041	Cross recessed pan head screw	PM1.4*3	2
042	Receiver		1

Part Code	Description	Specification	Qty
043	Canopy rod cap		2
044	Canopy		1
045	Copper ball		2
046	Tapping screw with gasket	PWB1.7*3	2
047	Canopy rod		1
048	Ball Linkage Joint		4
049	Swashplate Body (Lower)		1
050	Bearing	$\Phi 6 \times \Phi 10 \times 2.5$	1
051	Ball linkage		2
052	Inner cover of rotor head		1
053	Cross recessed pan head tapping screw	PB1.2*3	2
054	Bearing	$\Phi 1 \times \Phi 3 \times 1$	2