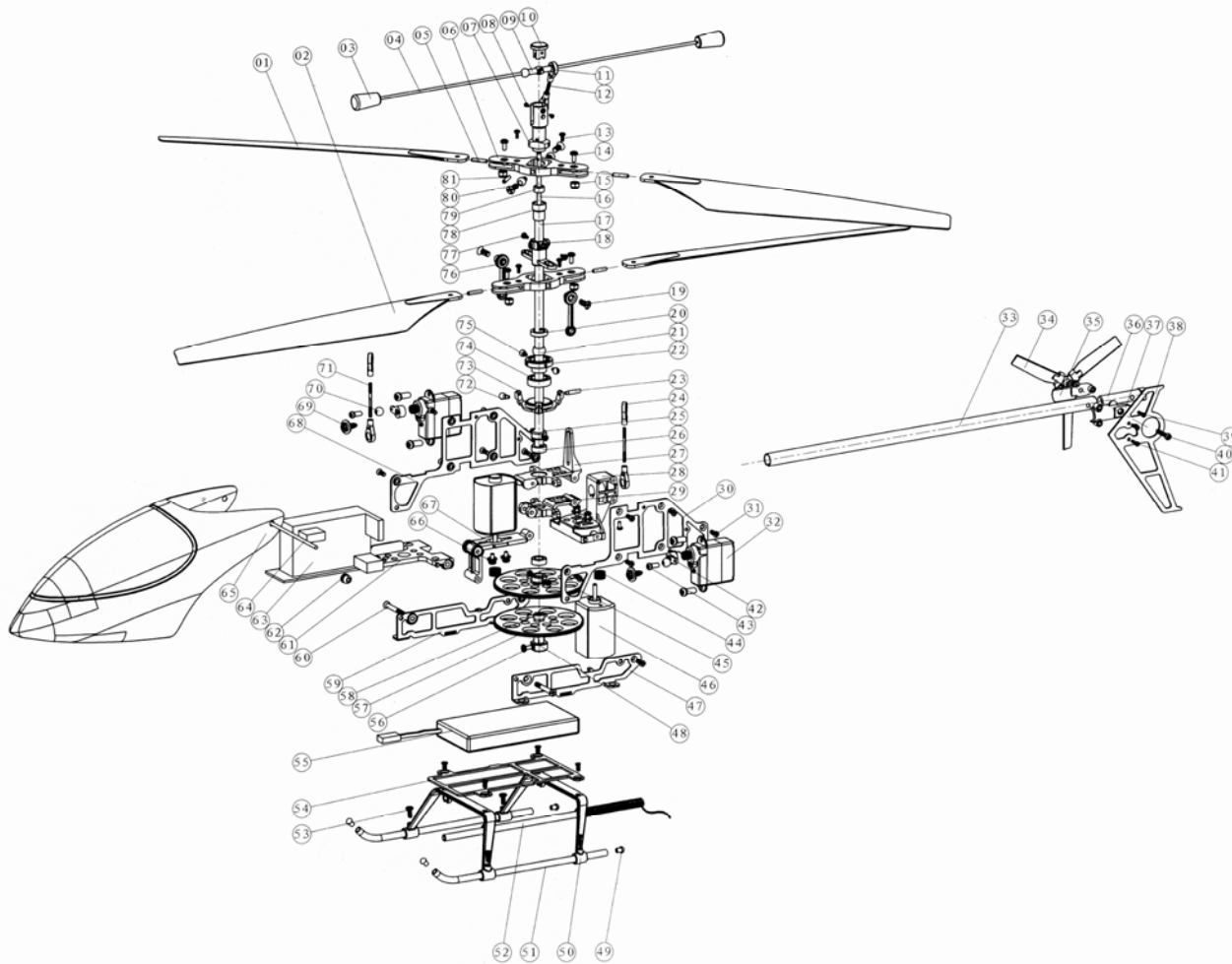


HM 5#10



Part Code	Description	Specification	Qty
001	Main Blade 1		2
002	Main Blade 2		2
003	Balance Block		2
004	Flybar Rod		1
005	Pilar Bolt 2		4
006	Main Blade Holder		2
007	Flybar Rod Connector		1
008	Cross Recessed Pan Head Screw	PM1.2*2	2
009	Flybar Rod Plastic Holder		1
010	Blade Arrester		1
011	Ball Link Driver		2
012	Double Ended Bolt		1
013	Cross Recessed Pan Head Screw	PM1.2*3	4
014	Cross Recessed Pan Head Screw	PM2*6	4
015	Locking socket nut	M2	4
016	Small Shaft		1
017	Hollow Shaft		1
018	T-Shape Holder		1
019	Cross Recessed Countersunk Flat Head Screw	KM2*7	4
020	Swashplate Main Body (Upper)		1
021	Copper Ball		1
022	Swashplate Main Body (Lower)		1
023	Steering rod		1
024	Ball linkage 1		4
025	Lock Sleeve		1
026	Bearing	Φ4*Φ7*2.5	2
027	Upper Main Shaft Holder		1
028	Tail Boom Holder		1
029	Lower Main Shaft Holder		1
030	Main frame A (R)		1
031	Cross Recessed Countersunk Flat Head Screw	KB1.7*4.5	21
032	4.3g servo		2
033	Tail Boom		1
034	Tail Rotor Blade		1
035	Tail Belt Holder (L)		1
036	Tail Balance Block		1
037	Tail Belt Holder (R)		1
038	Vertical stabilizer		1
039	Cross Recessed Pan Head Tapping Screw	PB1.4*4	1
040	Cross Recessed Pan Head Tapping Screw	PA1.7*12	1
041	Cross Recessed Pan Head Tapping Screw	PB1.4*8	2
042	Servo Pull Rod		2

Part Code	Description	Specification	Qty
043	Cross Recessed Pan Head Screw	PM1.2*4	2
044	Motor Gear		2
045	Main Gear A		1
046	Motor		2
047	Main frame B (R)		1
048	Small Shaft Lock Sleeve		1
049	Aluminum Pipe Cover		4
050	Skid landing		2
051	Aluminum Pipe		2
052	Antenna rod sleeve		1
053	Cross Recessed Pan Head Tapping Screw	PA1.4*3	4
054	Main Frame (Bottom)		1
055	Battery		1
056	Cross Recessed Pan Head Screw	PM2*4	9
057	Main Gear B		1
058	Bearing	Φ2*Φ5*2	1
059	Main frame B (L)		1
060	Cross Recessed Countersunk Flat Head Screw	KM2*16	2
061	Receiver holder		1
062	Canopy Rod Cap		2
063	Receiver		1
064	Canopy rod set 2		1
065	Canopy		1
066	Plain washer (class C)		4
067	Motor holder		1
068	Main frame A (L)		1
069	Tapping Screw With Washer	PWB1.7*3	2
070	Aluminum Ball		2
071	Ball linkage 2		2
072	Steel ball A		2
073	Swashplate Base		1
074	Bearing	Φ7*Φ11*3	1
075	Steel ball		4
076	Long Ball Linkage		2
077	Cross Recessed Pan Head Tapping Screw	PB1.4*2	6
078	Shaft Cover		1
079	Bearing	Φ2*Φ5*2.5	1
080	4mm Aluminum Ball 2		4
081	Cylindrical Pin 5		1